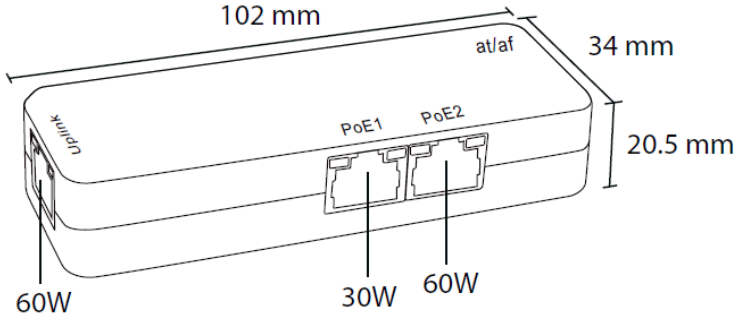




DATASHEET TR-EXP1130-3



TR-EXP1130-3 – PoE extender with ports capable of data transmission at a speed of 10/100 Mbit/sec and the ability to supply power to connected devices via twisted pair.

Basic equipment:

- PoE extender 1pcs.

Warranty Service:

- One year warranty service from the date of sale.
- In case of the warranty card absence, the warranty period is determined from the date of sale.

Specification:

Model	TR-EXP1130-3		
Ethernet ports	1 x 10/100 Mbps (RJ45, Uplink) 2 x 10/100 Mbps (RJ-45, PoE)		
Port operation mode	Uplink: in (PD)	PoE1: in / out (PSE-PD)	PoE2: in / out (PSE-PD)
Switching method	Store-and-Forward		
Switching capacity	0,6 Gbps		
Packet forwarding rate	0,4464 Mln/sec		
MAC address table size	2000 Kbit		
Packet buffer size	1204 Kbit		
Network standards	IEEE 802.3i 10BASE-T IEEE 802.3u 100BASE-TX IEEE 802.3x Flow Control		
Transmission range, cable type:	10BASE-T: UTP category cable 5, 5e (≤130 m) 100BASE-TX: UTP category cable 5, 5e (≤130 m)		
Cascade connection¹	Up to 5 devices		
PoE standards		PoE1: IEEE802.3af/at	PoE2: IEEE802.3af/at/bt
PoE method		PoE1: A/B	PoE2: A/B
Maximum capacity per port	Uplink: ≤60W	PoE1: ≤30W	PoE2: ≤60W
Watchdog²	Supported		
Installation	Desktop		
Material	Plastic		
Power	48-55V DC		
Lightning protection	Standard mode 4kV Differential mode 4kV		
Electrostatic discharge protection	Air discharge 10kV Contact discharge 8kV		
Maximum power capacity	60 W		
Working temperature	-30°C...50°C		
Permissible humidity level	10 – 90 %		
Weight, kg	GROSS: 0.045 NET: 0.01		
Dimensions of the device (W x D x H), mm	102 x 34 x 20.5		
Package dimensions (W x D x H), mm	175 x 84 x 23		

¹ Total data and power transmission distance: up to 5 PoE extenders up to 650 m. 2 PoE extenders connected consecutively increase the connection distance up to 390 m (max. PoE port power consumption 34 W), 3 PoE extenders up to 520 m (max. PoE port power consumption 21 W), 4 PoE extenders up to 650 m (max. PoE port power consumption 17 W).

² Technology for monitoring the activity status of a connected device. Port rebooting with Watchdog support occurs within 280-420 seconds after losing connection with the device after 30 minutes from the device's startup.

DATE OF SALE

SERIAL NUMBER