

Fixed Dome Junction Box

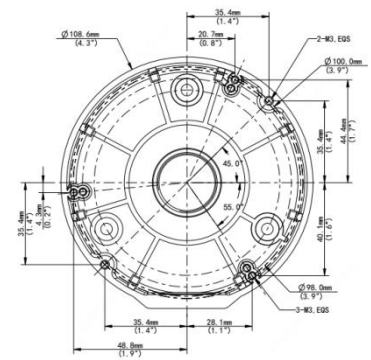
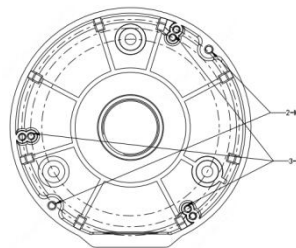
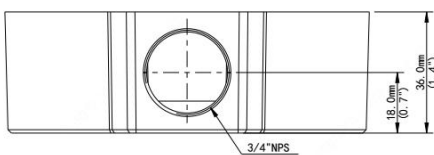
TR-JB03-G-IN



Specifications

Bracket	TR-JB03-G-IN
Application	Junction box for IPC32X Series and IPC31x series fixed dome
Dimensions	φ106.6mm*36mm (4.20" x1.42")
Weight	0.2kg(0.44lb)
Material	Aluminum alloy

Dimension



Zhejiang Uniview Technologies Co.,Ltd.

South Tower, Building 10, Wanlun Science Park, 88 Jiangling Road, Hangzhou, P.R.China 310051

Email: overseasbusiness@uniview.com; globalsupport@uniview.com

<http://www.uniview.com>

©2015 Zhejiang Uniview Technologies Co.,Ltd. All rights reserved.

*Product specifications and availability are subject to change without notice.