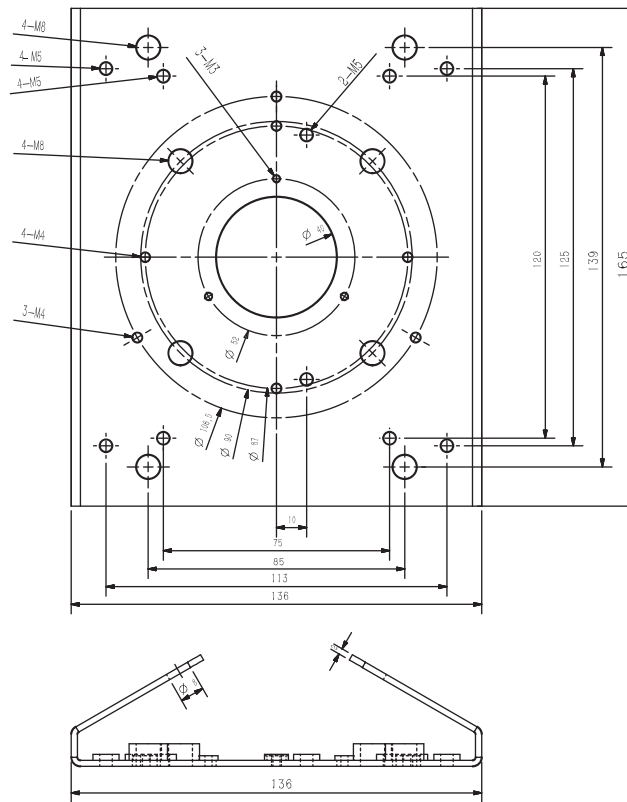


Specification

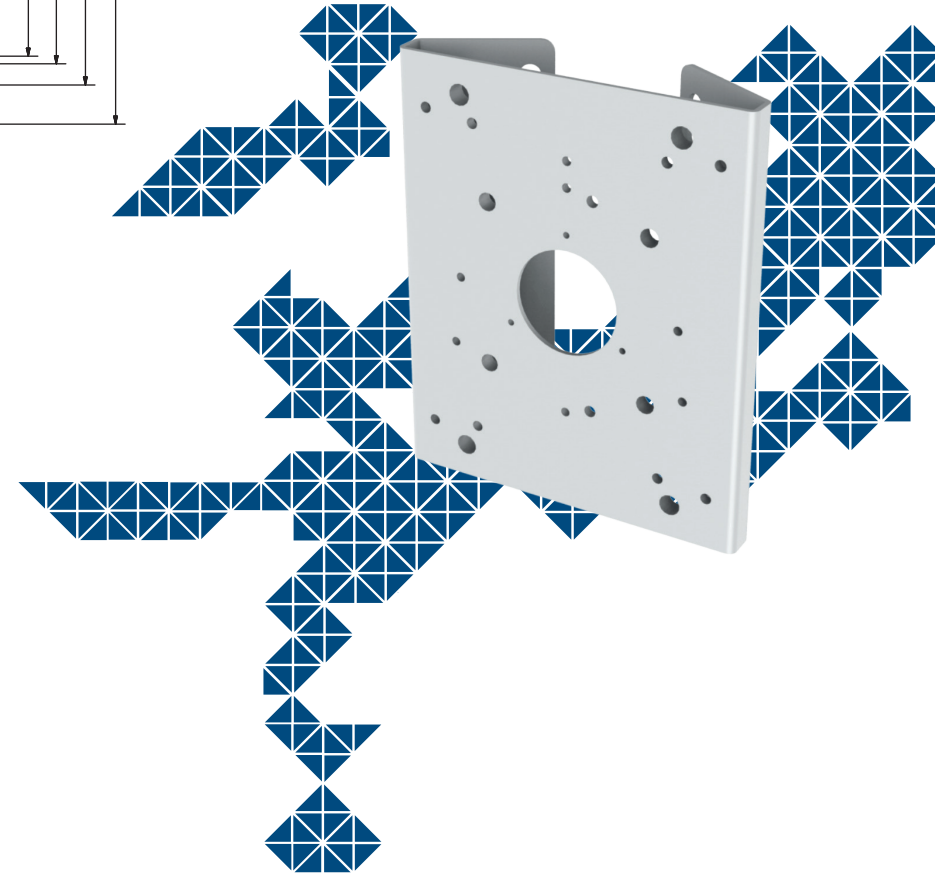
Model	TR-PM601
Material	Steel
Dimensions	165 mm x 136 mm x 37 mm
Gross weight	700 g
Net weight	652 g
Working temperature	-40°C ... +70°C
Working humidity	<90% (RH)
Colour	White

Dimensions



TR-PM601

Pole mount adapter



Basic equipment

Pole mount adapter	1 pcs.
Mounting kit	1 pcs.
Datasheet	1 pcs.