

## DS-2XM6365G0-IV(S)(M)(/ND) 6 MP IR Network Fisheye Camera



### DeepinView<sup>series</sup>

DS-2XM6365G0-IV(S)(M)(/ND) is a fisheye network camera capable of providing a 360-degree panoramic image of its surveillance scene.

The progressive scan CMOS sensor provides high-resolution images of up to 3072 × 2048.

Up to 15 live view display modes, designed for 3 mount types, meet various user preference.

Three independently controlled IR lights offer a range of 15 m and provide good vision in low or even zero-light environment.

- 1/1.8" Progressive Scan CMOS
- Max. 3072 × 2048 @30fps
- Up to 15 live view display modes
- 120 dB WDR
- Up to 15m IR range
- Built-in microphone
- Smart features  
6 behavior analyses, and 3 exception detections
- Supports hardware dewarping
- Automotive and Railway:  
EMARK/EN45545/EN50155-2017/R118



## Specifications

<b>Camera</b>	
Image Sensor	1/1.8" Progressive Scan CMOS
Min. Illumination	0.01 Lux @ (F1.2, AGC ON), 0.001 Lux @ (F1.2, AGC ON)
Shutter Speed	1 s to 1/100,000 s
Slow Shutter	Yes
Day & Night	Double Band-Pass Filter
Digital Noise Reduction	3D DNR
WDR	120 dB
<b>Lens</b>	
Focal Length	1.28mm
Aperture	F2.6
FOV	Horizontal FOV 180° (wall mount), 360°(ceiling mount)
Lens Mount	M12
<b>IR</b>	
IR Range	Up to 15 m IR range, 3 LEDs. Each LED is independently controlled.
Wavelength	850 nm
<b>Compression Standard</b>	
Video Compression	Main stream: H.265+/H.265/H.264+/H.264 Sub stream: H.265/H.264/MJPEG
H.264 Type	Baseline Profile/ Main Profile /High Profile
H.264+	Main stream supports
H.265 Type	Main Profile
H.265+	Main stream supports
Video Bit Rate	Feature-set      Region of Interest
SVC	H.265 and H.264 support
<b>Smart Feature-set</b>	
Behavior Analysis	Line crossing detection, intrusion detection, region entrance detection, region exiting detection, unattended baggage detection, object removal detection
Exception Detection	Audio exception detection
Region of Interest	4 fixed regions for main stream
<b>Image</b>	
Max. Resolution	3072 × 2048
Main Stream Max. Frame Rate	50Hz: 25fps (3072 × 2048, 2048 × 2048, 1280 × 1280) 60Hz: 30fps (3072 × 2048, 2048 × 2048, 1280 × 1280)
Sub Stream Max. Frame Rate	50Hz: 25fps (720 × 720) 60Hz: 30fps (720 × 720)
Image Enhancement	BLC, HLC, defog, 3D DNR
Image Setting	Saturation, brightness, contrast, sharpness, AGC and white balance are adjustable by client software or web browser
Day/Night Switch	Day/Night/Auto/Schedule/Triggered by Alarm In (-S)
Picture Overlay	LOGO picture can be overlaid on video with 128 × 128 24bit bmp format
<b>Live View Display</b>	
Mount Type	Support table, wall, and ceiling mounting

Decoding Mode	Support hardware decoding and software decoding
Display Mode	<p>16 display modes in total</p> <p>Software decoding:</p> <p>Ceiling mount: fisheye view, 180 panorama view, 360 panorama view, 360 panorama + PTZ, 360 panorama + 3PTZ, 360 panorama + 6PTZ, 360 panorama + 8PTZ, 2PTZ, 4PTZ, fisheye + 3PTZ, fisheye + 8 PTZ, half sphere</p> <p>Wall mount: fisheye view, panorama view, panorama + 3PTZ, panorama + 8PTZ, 4PTZ, fisheye + 3PTZ, fisheye + 8 PTZ</p> <p>Hardware decoding:</p> <p>Ceiling mount: fisheye view, 180 panorama view, panorama view, 4PTZ, fisheye + 3PTZ</p> <p>Wall mount: fisheye view, 180 panorama view, panorama view, 4PTZ, fisheye + 3PTZ</p>
<b>Audio (-S)</b>	
Environment Noise Filtering	Yes
Audio Sampling Rate	8 kHz/16 kHz
Audio Compression (-S)	G.711/G.722.1/G.726/MP2L2/PCM
Audio Bit Rate (-S)	64Kbps(G.711)/16Kbps(G.722.1)/16Kbps(G.726)/32-160Kbps(MP2L2)
<b>Network</b>	
Network Storage	Support Micro SD/SDHC/SDXC card (256 G), local storage and NAS (NFS,SMB/CIFS), ANR
Alarm Trigger	Motion detection, video tampering alarm, network disconnected, IP address conflicted, illegal login, HDD full, HDD error
Protocols	TCP/IP, ICMP, HTTP, HTTPS, FTP, DHCP, DNS, DDNS, RTP, RTSP, RTCP, PPPoE, NTP, UPnP, SMTP, SNMP, IGMP, 802.1X, QoS, IPv6, UDP, Bonjour
Security Measure	Password protection, HTTPS encryption, IEEE 802.1x port-based network access control, IP address filter, basic and digest authentication for HTTP/HTTPS, WSSE and digest authentication for ONVIF
General Function	One-key reset, anti-flicker, heartbeat, mirror, password protection, privacy mask, watermark, IP address filter
Firmware Version	5.5.73
API	ONVIF (PROFILE S, PROFILE G), ISAPI
Simultaneous Live View	Up to 20 channels
User/Host	Up to 32 users. 3 user levels, administrator, operator and user
Client	iVMS-4200, iVMS-4500, Hik-Connect, iVMS-5200
Web Browser	IE8+, Chrome31.0-44, Firefox 30.0-51, Safari8.0+
<b>Interface</b>	
Communication Interface	Without -M: 1 RJ45 10M/100M/1000M self-adaptive Ethernet port With -M: four-core M12 aviation plug
Audio (-S)	1 Audio input (line in, 3.81 mm), 1 audio output (line out, 3.81 mm); 2 Built-in microphones
Alarm (-S)	1-ch alarm input, max. 12 VDC; 1-ch alarm output, max 12 VDC, 30 mA
On-board storage	Built-in micro SD/SDHC/SDXC slot, up to 256 GB
Reset Button	Yes
<b>General</b>	
Operating Conditions	-30 °C to +60 °C (-22 °F to +140 °F), Humidity 95% or less (non-condensing)
Power Supply	12 VDC ± 20%, PoE (802.3af, class 3), two-core terminal block /ND: no power interface, only support PoE power supply
Power Consumption	12 VDC, 0.9 A, max. 11 W PoE (802.3af, 36 to 57 VDC), 0.3 A to 0.2 A, max. 12 W
Protection Level (-V)	IP66, IK10
Material	Metal
Dimensions	Φ 136 × 61.8 mm (Φ 5.35" × 2.43")
Weight	Approx. 600 g (1.32 lb.)

Approval	
EMC	47 CFR Part 15, Subpart B; EN 55032: 2015, EN 61000-3-2: 2014, EN 61000-3-3: 2013, EN 50130-4: 2011 +A1: 2014; AS/NZS CISPR 32: 2015; ICES-003: Issue 6, 2016; KN 32: 2015, KN 35: 2015
Safety	UL 60950-1, IEC 60950-1:2005 + Am 1:2009 + Am 2:2013, EN 60950-1:2005 + Am 1:2009 + Am 2:2013, IS 13252(Part 1):2010+A1:2013+A2:2015
Chemistry	2011/65/EU, 2012/19/EU, Regulation (EC) No 1907/2006
Automotive and Railway	EMARK/EN45545/EN50155-2017/R118

## Available Model

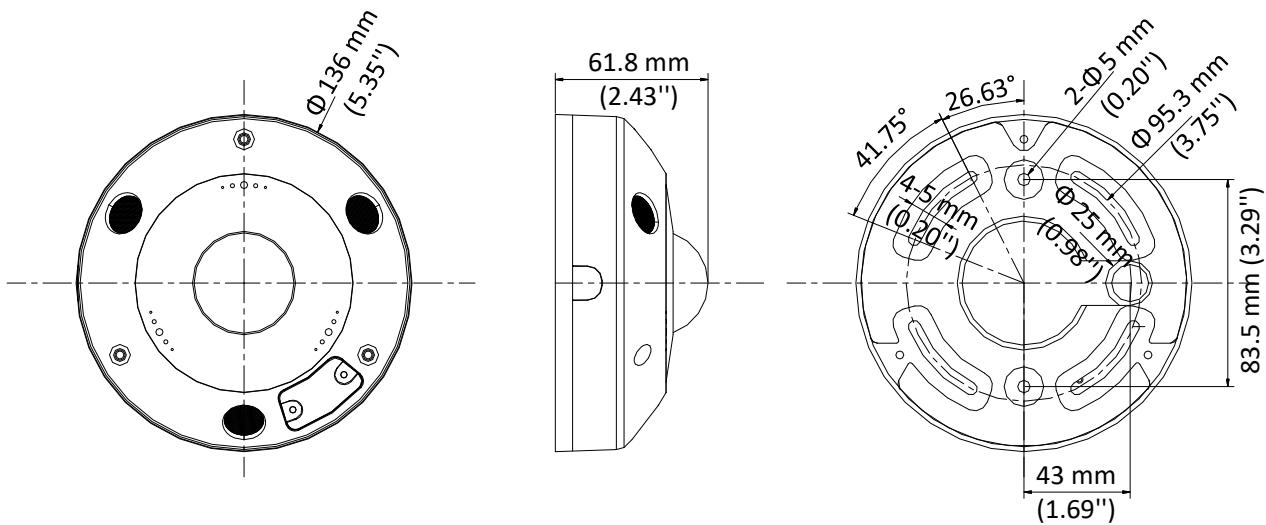
DS-2XM6365G0-IV (1.28 mm); DS-2XM6365G0-IVS (1.28 mm); DS-2XM6365G0-IVM (1.28 mm); DS-2XM6365G0-IVM/ND (1.28 mm)

\*-S: supports 1 alarm input, 1 alarm output, 1 audio input, 1 audio output

\*-M: supports M12 aviation plug

\*-ND: no power interface, only support PoE power supply

## Dimensions



## Accessory

### Included



DA-13-000712

Adapter plate

### Optional



DS-1273ZJ-135

Wall mount

Distributed by



## HIKVISION®

### Headquarters

No.555 Qianmo Road, Binjiang District,  
Hangzhou 310051, China  
T +86-571-8807-5998  
overseasbusiness@hikvision.com

**Hikvision USA**  
T +1-909-895-0400  
sales.usa@hikvision.com

**Hikvision Australia**  
T +61-2-8599-4233  
salesau@hikvision.com

**Hikvision India**  
T +91-22-28469900  
sales@pramahikvision.com

**Hikvision Canada**  
T +1-866-200-6690  
sales.canada@hikvision.com

**Hikvision Thailand**  
T +662-275-9949  
sales.thailand@hikvision.com

**Hikvision Europe**  
T +31-23-5542770  
sales.eu@hikvision.com

**Hikvision Italy**  
T +39-0438-6902  
info.it@hikvision.com

**Hikvision Brazil**  
T +55 11 3318-0050  
Latam.support@hikvision.com

**Hikvision Turkey**  
T +90 (216)521 7070- 7074  
sales.tr@hikvision.com

**Hikvision Malaysia**  
T +601-7652-2413  
sales.my@hikvision.com

**Hikvision UK & Ireland**  
T +01628-902140  
sales.uk@hikvision.com

**Hikvision South Africa**  
Tel: +27 (10) 0351172  
sale.africa@hikvision.com

**Hikvision France**  
T +33(0)1-85-330-450  
info.fr@hikvision.com

**Hikvision Kazakhstan**  
T +7-727-9730667  
nikia.panfilov@hikvision.ru

**Hikvision Vietnam**  
T +84-974270888  
sales.vt@hikvision.com

**Hikvision UAE**  
T +971-4-4432090  
salesme@hikvision.com

**Hikvision Singapore**  
T +65-6684-4718  
sg@hikvision.com

**Hikvision Spain**  
T +34-91-737-16-55  
info.es@hikvision.com

**Hikvision Tashkent**  
T +99-87-1238-9438  
uzb@hikvision.ru

**Hikvision Hong Kong**  
T +852-2151-1761  
info.hk@hikvision.com

**Hikvision Russia**  
T +7-495-669-67-99  
sateru@hikvision.com

**Hikvision Korea**  
T +82-(0)31-731-8817  
sales.korea@hikvision.com

**Hikvision Poland**  
T +48-22-460-01-50  
info.pl@hikvision.com

**Hikvision Indonesia**  
T +62-21-2933759  
Sales.Indonesia@hikvision.com

**Hikvision Colombia**  
sales.colombia@hikvision.com