

## Specification

|                              |  |
|------------------------------|--|
| Model                        | TR-D3323WDZIR4   |
| Image sensor                 | 1/2.8" CMOS 2MP  |
| Max resolution               | 2MP(1920x1080)   |
| Main stream                  | 50Hz: 2MP@25fps (WDR on)<br>2MP@50fps (WDR off)<br>60Hz: 2MP@30fps (WDR on)<br>2MP@60fps (WDR off)     |
| Substream                    | 50Hz: 720p@25fps (WDR on)<br>720p@50fps (WDR off)<br>60Hz: 720p@30fps (WDR on)<br>720p@60fps (WDR off) |
| Third stream                 | 50Hz: 4CIF@25fps (WDR on)<br>4CIF@50fps (WDR off)<br>60Hz: 4CIF@30fps (WDR on)<br>4CIF@60fps (WDR off) |
| Electronic shutter speed     | 1/2 ~ 1/1 000 s  |
| Day/Night mode               | Mechanical ICR   |
| Sensitivity                  | 0.002Lux (F1.3)  |
| IR range                     | up to 40 m   |
| Lens (mm)                    | 2.7 - 13.5 (motorzoom)   |
| Field of view (horiz./vert.) | 101°-31°±5° / 53°-18°±5°   |
| Axes setting                 | Pan: 0°-360°<br>Tilt: 0°-80°<br>Rotation: 0°-360°  |
| WDR                          | Real WDR (120dB)   |
| Digital noise reduction      | 3D DNR   |
| Video compression            | H.265+ / H.265 / H.264   |
| Bitrate                      | up to 8Mbps  |
| Local storage                | MicroSD up to 256GB  |
| Audio                        | Built-in microphone<br>Audioinput / Audiooutput  |
| Alarm inputs/outputs         | 1 / 1  |
| Corridor mode                | Yes  |
| IVS                          | Yes  |
| RTC                          | No   |

## General

|                        |                        |
|------------------------|------------------------|
| Power supply           | PoE (802.3af) / 12V DC |
| PoE Class              | 3                      |
| Power consumption      | DC: 7.2W<br>PoE: 9.4W  |
| Case material          | Metal                  |
| Dimensions (mm)        | Ø116.10 x 96.51        |
| Weight Net/Gross (g)   | 520 / 650              |
| Protection             | IP67, IK10             |
| Power surge suppressor | TVS 4000V              |
| Working temperature    | -40°C ... +60°C        |
| Cold start             | -40°C                  |

## TR-D3323WDZIR4

Vandal-proof IR Network Dome Camera




## Technical support

[www: helpdesk.trassir.com](http://www.helpdesk.trassir.com)

[mail: helpdesk@trassir.com](mailto:helpdesk@trassir.com)

Data \_\_\_\_\_ Stamp \_\_\_\_\_

Here is the confirmation form for warranty assurance

**Note: read user manual before using**  
**Website: [www.trassir.com](http://www.trassir.com)**  
**For any inquiry: [info@trassir.com](mailto:info@trassir.com)**

## Introduction

Congratulations on purchasing TR-D3323WDZIR4\* IP camera.  
Please read User Manual before using the camera.

\* This datasheet applies to all camera modifications of this model.  
The modification is indicated by a Latin letter in brackets in the camera name.

## Key features

- Supports H.265+
- Wide Dynamic Range (Real WDR 120dB)
- IR range up to 40 m
- Built-in video archive (Edge Storage) – local recording on MicroSD card\* up to 256GB
- Two-way audio (1 in / 1 out, built-in microphone)
- Alarm inputs / outputs: 1/1
- IVS: Face detector; Human detection; Line crossing; Intrusion detection; People counting; Loitering; Vehicle detection
- TCP/IP, HTTP, FTP, DHCP, DNS, DDNS, RTP, RTSP, RTCP, PPPoE, UPnP, SMTP, NTP, Onvif protocols
- Power supply 12V DC or PoE

\* MicroSD Card is not included into camera package

## Camera package

- |                       |       |
|-----------------------|-------|
| 1. IP camera .....    | 1 pc. |
| 2. User Manual .....  | 1 pc. |
| 3. Mounting kit ..... | 1 pc. |

### Attention!

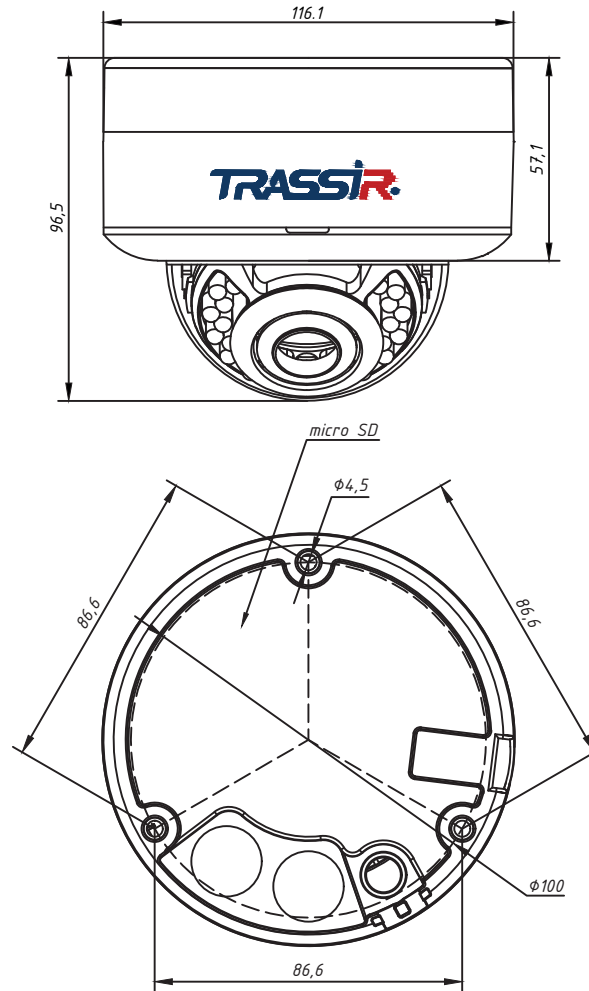
The power supply should meet the following requirements: output voltage, current, polarity, and working temperature. When using the camera in thunderstorm conditions, make sure there is a lightning rod or unplug the power connector.  
Pay attention to the temperature requirements for IP camera operation. Avoid using the device in excessively high or low temperatures. Do not install the camera near heaters. Do not point the camera lens at the sun or at bright objects as this can damage the image sensor.

## Connecting

To use the IP camera, you need a PC connected to your local network and a browser.

1. Connect IP camera to the network.
2. When the camera is connected through a switch which doesn't support PoE, connect the adapter to the power jack.

## Dimensions



## Manual setting of network parameters

In order to connect to the IP camera, the PC should be in the same local network as the camera. The IP address of the camera, the PC and any other device on the network should not match.

IP camera has the following default settings:

- IP address: 192.168.1.188
- Subnet mask: 255.255.0.0
- Gateway: 192.168.1.1
- HTTP-port: 80
- username: admin
- password: admin

PC network settings example:

- IP address: 192.168.1.10;
- Subnet mask: 255.255.0.0.

There are 3 options to set up your camera:

1. Change IP address of a camera manually.  
Start your browser, connect to IP camera and enter your username and password. Choose appropriate menu item and change network settings of IP camera.
2. Set up camera IP address using fast configuration utility that can be downloaded from [www.trassir.com](http://www.trassir.com).
3. Change IP camera settings using TRASSIR professional software.

The product service life is 5 years.

You can find detailed camera settings instructions in User Manual that can be downloaded from [trassir.com](http://trassir.com) in the Technical documentation section.

Connect you camera to TRASSIR Cloud and watch video from your cell phone for free.