

Specification

Model	TR-D2254WDZIR7v3
Image sensor	1/2.8" CMOS 5MP
Max resolution	5MP(2592x1920)
Main stream	50Hz: 5MP/4MP/3MP@25fps 60Hz: 5MP/4MP/3MP@30fps
Substream	50Hz: 720P/D1/VGA@25fps 60Hz: 720P/D1/VGA@30fps
Third stream	50Hz: D1/VGA/HVGA@25fps 60Hz: D1/VGA/HVGA@30fps
Electronic shutter speed	1/2 ~ 1/12,500 s
Day/Night mode	Mechanical ICR
Sensitivity	0.002Lux (F1.6)
IR range	up to 70 m
Lens (mm)	5 - 50 (motorzoom)
Field of view (horiz./vert.)	44° - 8°±5° / 32° - 6°±5°
Axes setting	Pan: 0°-360° Tilt: 0°-90° Rotation: 0°-360°
WDR	Real WDR (120dB)
Digital noise reduction	3D DNR
Video compression	H.265+ / H.265 / H.264
Bitrate	up to 8Mbps
Local storage	MicroSD up to 512GB
Audio	Built-in microphone Audioinput / Audiooutput
Alarm inputs/outputs	1 / 1
Corridor mode	Yes
IVS	Yes

General

Power supply	PoE (802.3af) / 12V DC
PoE Class	0
Power consumption	DC: 9.3W PoE: 13.6W
Case material	Metal
Dimensions (mm)	234.33 x 77.5 x 73.4
Weight Net/Gross (g)	635 / 830
Protection	IP67, IK08
Power surge suppressor	TVS 4000V
Working temperature	-40°C ... +60°C

TR-D2254WDZIR7v3

Outdoor IR Network Camera



Technical support

www: helpdesk.trassir.com
mail: helpdesk@trassir.com

Data _____ Stamp _____

Here is the confirmation form for warranty assurance

Note: read user manual before using
Website: www.trassir.com
For any inquiry: info@trassir.com

Introduction

Congratulations on purchasing TR-D2254WDZIR7v3* IP camera. Please read User Manual before using the camera.

* This datasheet applies to all camera modifications of this model. The modification is indicated by a Latin letter in brackets in the camera name.

Key features

- Supports H.265+
- Wide Dynamic Range (Real WDR 120dB)
- IR range up to 70 m
- Built-in video archive (Edge Storage) – local recording to MicroSD card* up to 512GB with HotSwap support
- Two-way audio (1 line in / 1 line out, built-in microphone)
- Alarm inputs / outputs: 1/1
- TCP/IP, HTTP, FTP, DHCP, DNS, DDNS, RTP, RTSP, RTCP, PPPoE, UPnP, SMTP, NTP, Onvif protocols
- IVS: Face detector; Human detection; Line crossing; Intrusion detection; People counting; Loitering; Vehicle detection
- Power supply 12V DC or PoE

* MicroSD Card is not included into camera package

Camera package

1. IP camera 1 pc.
2. User Manual 1 pc.
3. Mounting kit 1 pc.

Attention!

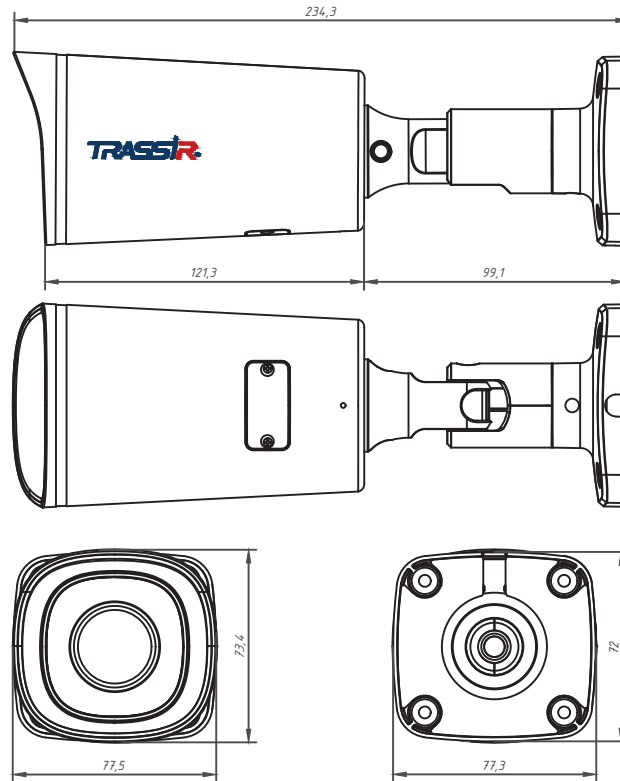
The power supply should meet the following requirements: output voltage, current, polarity, and working temperature. When using the camera in thunderstorm conditions, make sure there is a lightning rod or unplug the power connector. Pay attention to the temperature requirements for IP camera operation. Avoid using the device in excessively high or low temperatures. Do not install the camera near heaters. Do not point the camera lens at the sun or at bright objects as this can damage the image sensor.

Connecting

To use the IP camera, you need a PC connected to your local network and a browser.

1. Connect the IP camera to your network.
2. When the camera is connected through the switch which doesn't support PoE, connect the adapter to the power jack.

Dimensions



Manual setting of network parameters

In order to connect to the IP camera, the PC should be in the same local network as the camera. The IP address of the camera, the PC and any other device on the network should not match.

IP camera has the following default settings:

- IP address: 192.168.1.188
- Subnet mask: 255.255.0.0
- Gateway: 192.168.1.1
- HTTP-port: 80
- username: admin
- password: admin

PC network settings example:

- IP address: 192.168.1.10;
- Subnet mask: 255.255.0.0.

There are 3 options to set up your camera:

1. Change IP address of your camera manually. Launch a browser, connect to the IP camera and enter your username and password. Select appropriate menu item and change network settings of the IP camera.
2. Set up the camera IP address using fast configuration utility that can be downloaded from www.trassir.com.
3. Change the IP camera settings using TRASSIR professional software.

The product service life is 5 years.

You can find detailed camera settings instructions in the User Manual that can be downloaded from trassir.com in the Technical documentation section.

Connect you camera to TRASSIR Cloud and watch video from your smartphone for free.