

## Specification

Model	TR-D8221WDDL4v3
Image sensor	1/2.8" CMOS 2MP
Max resolution	2MP(1920x1080)
Main stream	50Hz: 2MP/960P/720P@25fps 60Hz: 2MP/960P/720P@30fps
Substream	50Hz: D1/CIF@25fps 60Hz: D1/CIF@30fps
Third stream	50Hz: CIF@25fps 60Hz: CIF@30fps
Electronic shutter speed	1/3 ~ 1/100,000 s
Day/Night mode	Mechanical ICR / FTC
Sensitivity	0.005Lux (F1.6)
IR range	up to 40 m
LED range	up to 40 m (warm white)
Stroboscope	Yes
Lens (mm)	2.8 / 3.6
Field of view (horiz./vert.)	2.8 mm: 102° / 55.5° 3.6 mm: 85.5° / 44°
Axes setting	Pan: 0°-360° Tilt: 0°-95° Rotation: 0°-360°
WDR	Real WDR (120dB)
Digital noise reduction	3D DNR
Video compression	H.265+ / H.265 / H.264+ / H.264
Bitrate	up to 8Mbps
Local storage	MicroSD up to 512GB
Audio	Built-in microphone 1 in / 1 out
Alarm	1/1
IVS	Yes

## General

Power supply	PoE (802.3af) / 12V DC
PoE Class	0
Power consumption	DC: 4.5W PoE: 5.2W
Case material	Metal
Dimensions (mm)	Ø128 x 105.1
Weight Net/Gross (g)	528 / 703
Protection	IP67
Power surge suppressor	TVS 6000V
Working temperature	-40°C ... +60°C

## TR-D8221WDDL4v3

Outdoor Dual Intelligent Illumination Camera



## Technical support

www: [helpdesk.trassir.com](mailto:helpdesk.trassir.com)

mail: [helpdesk@trassir.com](mailto:helpdesk@trassir.com)

Data \_\_\_\_\_ Stamp \_\_\_\_\_

Here is the confirmation form for warranty assurance

Note: read user manual before using  
Website: [www.trassir.com](http://www.trassir.com)  
For any inquiry: [info@trassir.com](mailto:info@trassir.com)

## Introduction

Congratulations on purchasing TR-D8221WDDL4v3\* IP-camera.  
Please read User Manual before using the camera.

\* This datasheet applies to all camera modifications of this model.  
The modification is indicated by a Latin letter in brackets in the camera name.

## Key features

- Supports H.265+
- Wide Dynamic Range (Real WDR 120dB)
- IR range up to 40 m
- LED range up to 40 m
- Built-in video archive (Edge Storage) – local recording on MicroSD card up to 512GB\* with HotSwap support
- Two-way audio (1 in / 1 out, built-in microphone)
- Alarm IN/OUT (1/1)
- TCP/IP, ICMP, HTTP, DHCP, DNS, DDNS, RTP, RTSP, RTCP, NTP, IGMP, UPnP, SMTP, UPnP-TM, P2P, Onvif protocols
- IVS: Face detector, Line crossing\*\*, Intrusion detection\*\* (Region entrance and exiting), Loitering, Smart motion detection\*\*
- Power supply 12V DC or PoE

\* MicroSD Card is not included into camera package  
\*\* With the object type filter (person, vehicle)

## Camera package

- |                       |       |
|-----------------------|-------|
| 1. IP camera .....    | 1 pc. |
| 2. User Manual .....  | 1 pc. |
| 3. Mounting kit ..... | 1 pc. |

### Attention!

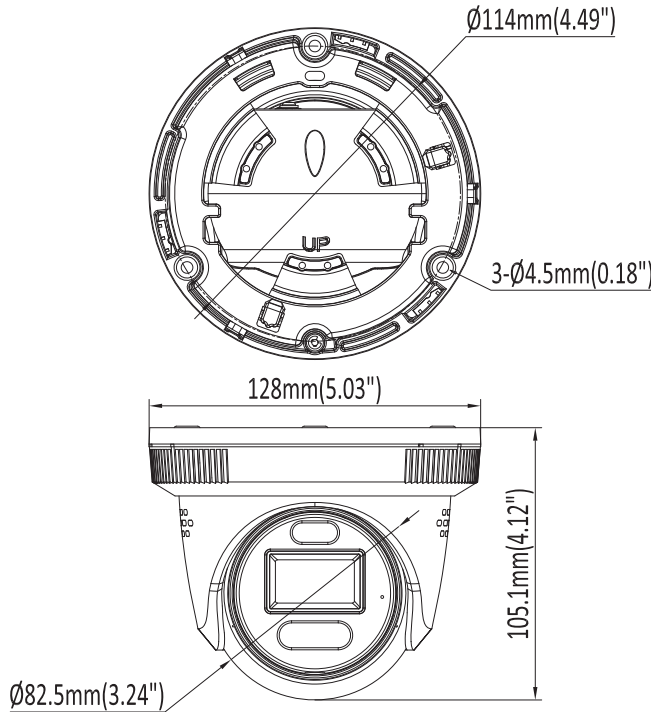
The power supply should meet the following requirements: output voltage, current, polarity, and working temperature. When using the camera in thunderstorm conditions, make sure there is a lightning rod or unplug the power connector.  
Pay attention to the temperature requirements for IP camera operation. Avoid using the device in excessively high or low temperatures. Do not install the camera near heaters. Do not point the camera lens at the sun or at bright objects as this can damage the image sensor.

## Connecting

To use the IP camera, you need a PC connected to your local network and a browser.

1. Connect IP camera to the network.
2. When the camera is connected through a switch which doesn't support PoE, connect the adapter to the power jack.

## Dimensions



## Manual setting of network parameters

In order to connect to the IP camera, the PC should be in the same local network as the camera. The IP address of the camera, the PC and any other device on the network should not match.

The IP camera has the following default settings:

- IP address: 192.168.1.188
- Subnet mask: 255.255.0.0
- Gateway: 192.168.1.1
- HTTP-port: 80
- username: admin
- password: admin

PC network settings example:

- IP address: 192.168.1.10;
- Subnet mask: 255.255.0.0.

There are 3 options to set up your camera:

1. Change IP address of a camera manually.  
Launch a browser, connect to the IP camera and enter your username and password. Select the appropriate menu item and change network settings of the IP camera.
2. Activate the camera and set up the IP address using fast configuration utility that can be downloaded from [www.trassir.com](http://www.trassir.com).
3. Change IP camera settings using TRASSIR professional software.

You can find detailed camera settings instructions in User Manual that can be downloaded from [trassir.com](http://trassir.com).